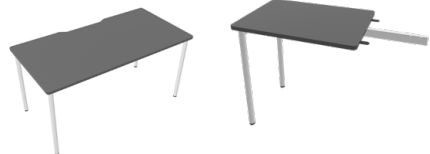


align desk with return

Assembly instructions.



You have received:



Align Desk

Align Return



2 x M8x20 Cap Screws and Spring Washers (pre-inserted in the Desk frame)



2 x 12gx16 Pan Pozi Screws



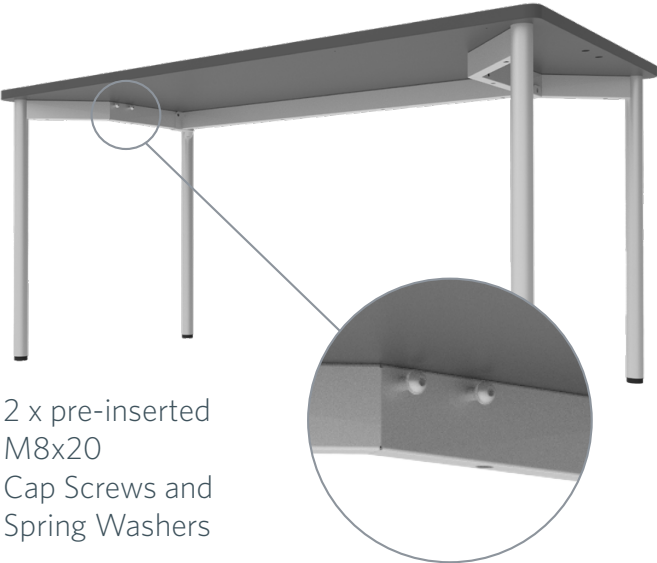
5mm Hex Key



Pozi Screw Driver

You will need:

Align Desk



2 x pre-inserted M8x20 Cap Screws and Spring Washers

Align Return



Keyhole Slots

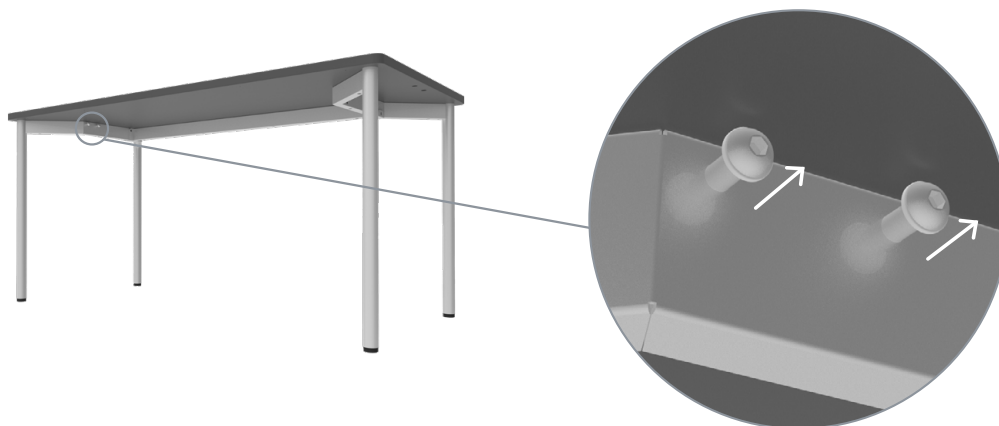
Desk Connectors

align desk with return

Assembly instructions.

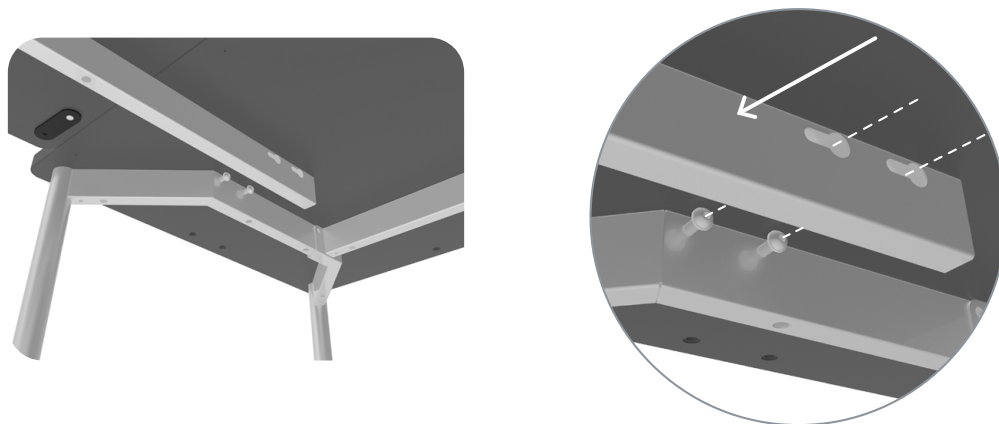
Step 1

Locate the pre-inserted Cap Screws on the side of the Desk that the Return will attach to. Loosen them approximately 3mm.



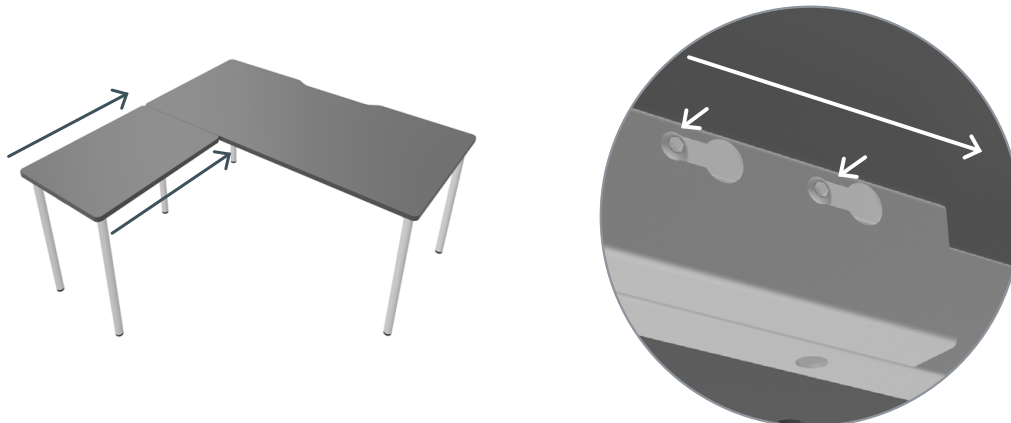
Step 2

Position the Return Desk so the Cap Screws and Spring Washers on the Desk frame fit into the keyhole slots on the Return Desk frame rail.



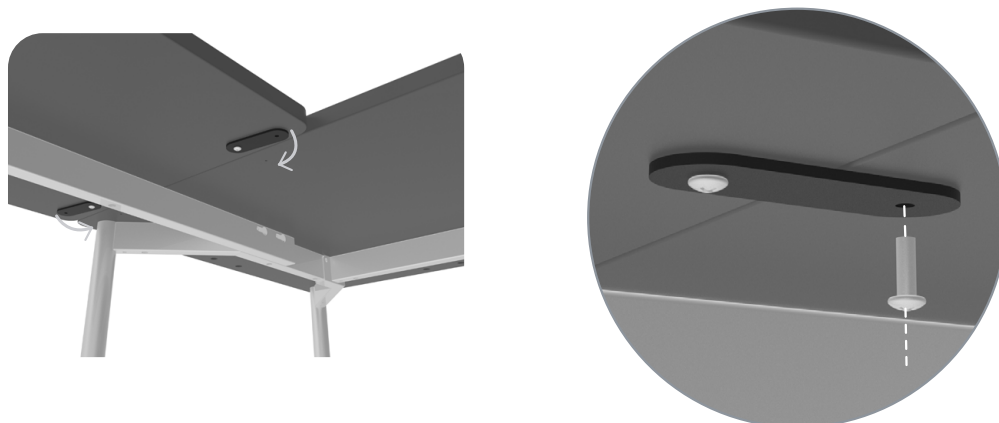
Step 3

Push the Return to ensure it is tightly aligned to the Desk at a right angle. Use the Hex Key to tighten the Cap Screws and secure the Return into position.



Step 4

Slightly loosen the pre-inserted screw in each Desk Connector. Position the two Desk Connectors so they align with the pre-drilled holes. Fix into position using the 12gx16 Pan Pozi Screws supplied, and tighten all four Desk Connector screws.

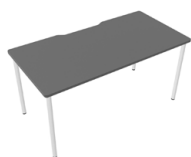


align desk with privacy screen

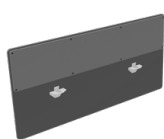
Assembly instructions.



You have received:



Align Desk



Align Privacy Screen



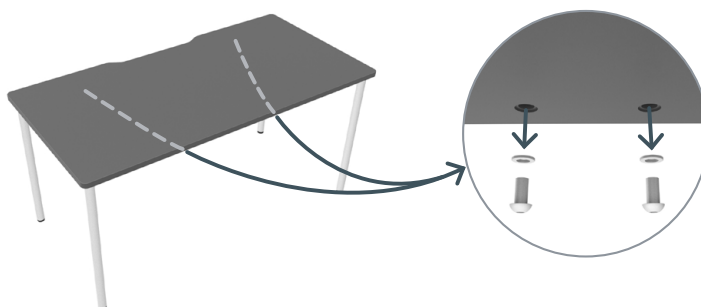
4 x M8x20 Cap Screws and Spring Washers per Privacy Screen (pre-inserted on the underside of the Desk)



5mm Hex Key

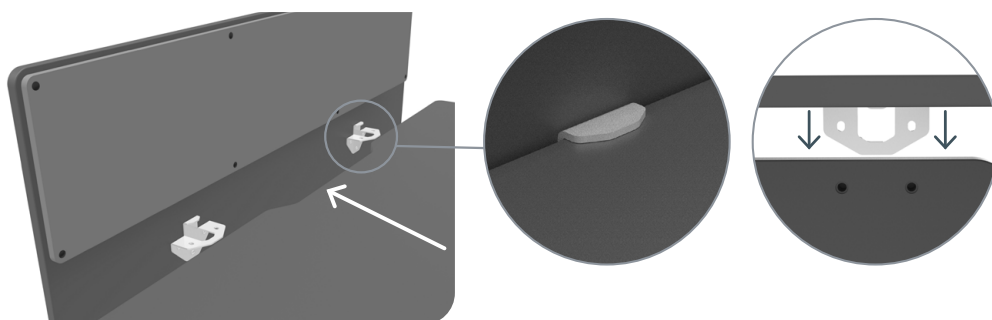
Step 1

Locate the four pre-inserted Cap Screws on the rear underside of the desk. Remove along with the Spring Washers.



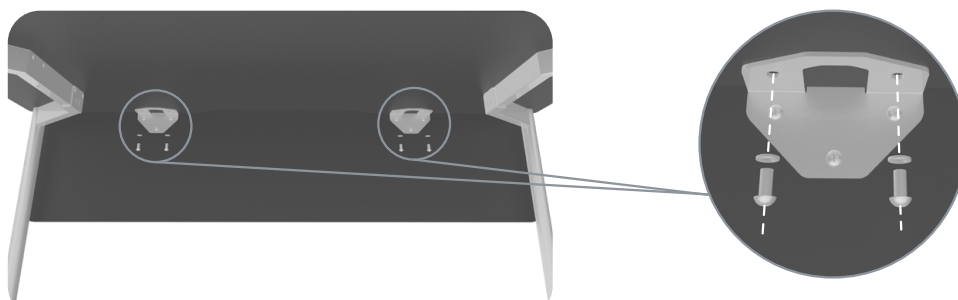
Step 2

Have someone help to position the Privacy Screen brackets on the Desk and align the screw holes in the brackets with those on the underside of the Desk.



Step 3

Fix brackets in place using the Cap Screws and Spring Washers removed in previous step.



align desk with return and privacy screen/s

Assembly instructions.

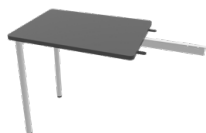


For assembly of the Align Desk with Return and Privacy Screen/s, attach the Return before the Privacy Screen/s. See previous pages for instructions.

You have received:



Align Desk



Align Return



2 x M8x20 Cap Screws and Spring Washers (pre-inserted in the Desk frame)



2 x 12gx16 Pan Pozi Screws

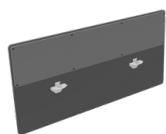


5mm Hex Key



Pozi Screw Driver

You will need:



Align Privacy Screen/s



4 x M8x20 Cap Screws and Spring Washers per Privacy Screen (pre-inserted on the underside of the Desk)